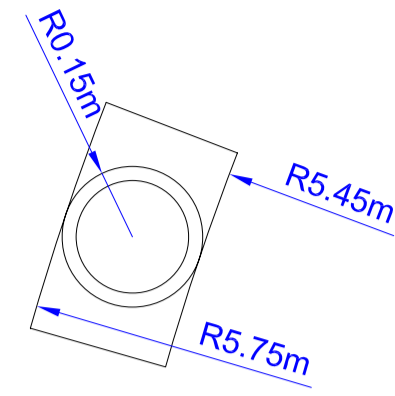


FOR ALL BLOCKS F1 TO F10
 outer diameter: 11.5m outer radius: 5.75m
 inner diameter: 10.9m inner radius: 5.45m
 inner and outer length as dimensioned



BLOCK LABEL	BLOCK LABEL	BLOCK LABEL	BLOCK LABEL	BLOCK LABEL	BLOCK LABEL	BLOCK LABEL	BLOCK LABEL	BLOCK LABEL	BLOCK LABEL
F1	F2	F3	F4	F5	F6	F7	F8	F9	F10
ISOMETRIC VIEW	ISOMETRIC VIEW	ISOMETRIC VIEW	ISOMETRIC VIEW	ISOMETRIC VIEW	ISOMETRIC VIEW	ISOMETRIC VIEW	ISOMETRIC VIEW	ISOMETRIC VIEW	ISOMETRIC VIEW
SECTION A-A'	SECTION B-B'	SECTION C-C'	SECTION D-D'	SECTION E-E'	SECTION F-F'	SECTION G-G'	SECTION H-H'	SECTION I-I'	SECTION J-J'
TOP VIEW	TOP VIEW	TOP VIEW	TOP VIEW	TOP VIEW	TOP VIEW	TOP VIEW	TOP VIEW	TOP VIEW	TOP VIEW
ENGRAVING	ENGRAVING	ENGRAVING	ENGRAVING	ENGRAVING	ENGRAVING	ENGRAVING	ENGRAVING	ENGRAVING	ENGRAVING
1	2	3	4	5	6	7	8	9	10

MATERIAL: CRYSTAL BLACK GRANITE
FINISH: FLAMED
QUANTITY: TOTAL 10 BLOCKS, EACH WITH DIFFERENT ENGRAVING AND HEIGHT
AS INDICATED
ENGRAVING DEPTH: 5mm

REVISION	DRAWN BY/DATE	CHECKED BY/DATE	APPROVED BY/DATE
A	Halbat Abro		

Based upon the Ordnance Survey mapping with the permission of the Controller of Her Majesty's Stationery Office.
 © Crown copyright.
 Unauthorised reproduction infringes Crown Copyright and may lead to prosecution or civil proceedings. L.B. Lambeth 100019338 2008

Transport & Highways
 3rd Floor, Blue Star House
 234-244 Stockwell Road
 London, SW9 9SP
 020 7926 9000

Project		Grass Routes	
Drawing Title		Granite Blocks F1-F10 Schedule - Sheet 13	
Purpose	INFORMATION	Draft	Scale
Issuing Office	BLUE STAR HOUSE	Issue	NTS @ A1
Telephone	020 7926 9000	Drawing number	Version
		-	1